



Jindara®
WOODHEATING

Paramount Series

Australian Made Woodheaters



The warmest welcome to the great indoors



Jindara Paramount Series Woodheaters

The Jindara Paramount Series is a brilliantly designed and constructed woodheater series that provides excellent efficiency with unique high performance. The stylish design of these woodheaters ensure that Jindara leads the way in design and technology. Extensive research and testing have allowed Jindara to provide a superior selection of woodheating appliances for the discerning buyer.

The Jindara woodheating family not only provides an inspired collection of woodheating appliances, they also offer 70 years of manufacturing experience in Australia. This peace of mind and security ensures that Jindara products will be supported by our Australia wide customer service network.

Jindara's ongoing successes in the woodheating industry allow us the flexibility to develop new models and designs. "Quality Through Integrity" has long been the motto at Jindara, a motto we are proud to say we enjoy achieving.

Unique engineering – maximum efficiency

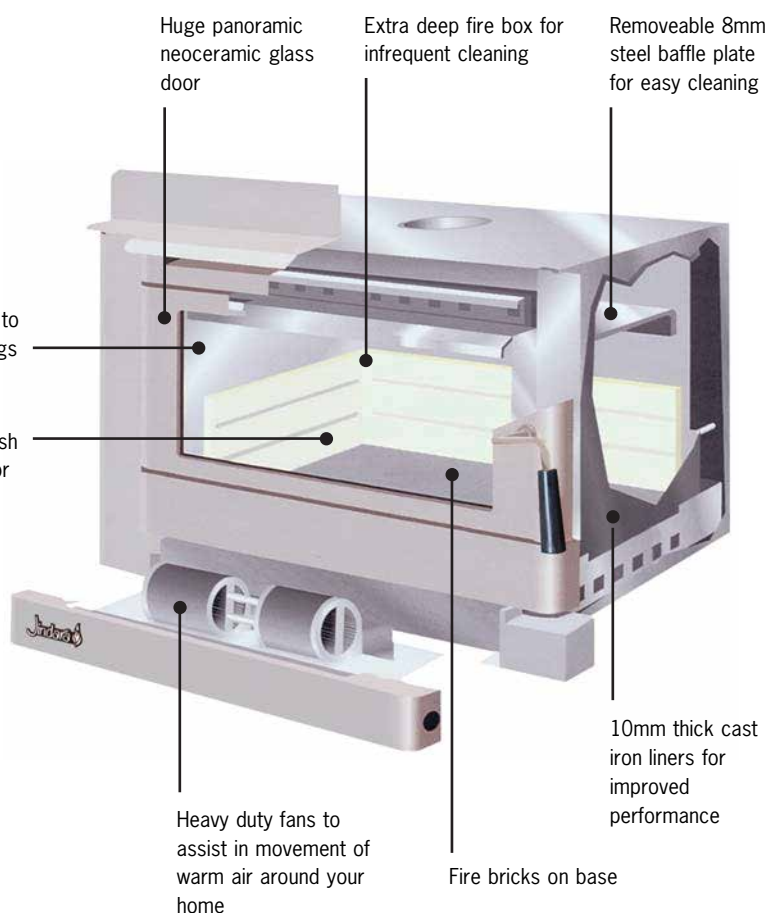
Jindara's unique engineering design and manufacturing has created a woodheating appliance offering maximum efficiency in a sturdy, stylish unit, Jindara utilises the latest heat generation and air flow technology combined with the highest quality in materials to bring you the best range of woodheaters available today in Australia.

Jindara features

- Huge, self cleaning fireplace window
- Quiet, high performance fans
- Heavy duty steel firebox
- Heavy gauge, thick cast iron liners (heat retaining)
- Firebrick lined heater base
- Deep firebox for infrequent cleaning
- Long lasting 8mm steel baffle plate

Quality through integrity

- Proudly 100% Australian manufactured product
- 10 year limited warranty
- Maximum door opening for large logs
- Emissions approved (AS 4012-4013)
- Minimum wall clearances (AS 2918-2001)



TIPS FOR GOOD WOODHEATER OPERATION

- Load your woodheater with plenty of small fuel when lighting
- Always use dry, well seasoned wood
- Build up a strong coal base before slowing down
- Always leave a bed of ash in your woodheater



Freestanding Models

PILBARA



To heat 120m²*
Emissions 2.2g/kg
Efficiency 66%

KIMBERLEY



To heat 240m²*
Emissions 1.0g/kg
Efficiency 69%

HAMERSLEY



To heat 300m²*
Emissions 2.2g/kg
Efficiency 64%

With three models to choose from there is a size to suit every Australian home. Whether it is the compact Pilbara, the medium sized Kimberley or the large powerful Hamersley you will find the right model to meet your requirements. This choice allows you the confidence of knowing, no matter what your home size, your family will be warm all winter.

Insert Models

KIMBERLEY



Feat. brushed chrome strip option
To heat 220m²*
Emissions 0.3g/kg
Efficiency 65%

HAMERSLEY



Feat. satin black strip option (standard)
To heat 260m²*
Emissions 1.4g/kg
Efficiency 60%

FEDERATION



To heat 260m²*
Emissions 1.4g/kg
Efficiency 60%

If you have an existing open brick fireplace in your home and wish to make it more efficient, Jindara can help. Once again, three different sizes allow you to choose a model of inbuilt certified woodheater that can improve the efficiency of your open fireplace by up to 80%. The Hamersley Federation model allows for the traditional appearance of a woodheater, with cast iron fascia and timber mantle surround options.

Zero clearance options are available for all insert models, consult your Jindara dealer for the right size and model to suit your needs, together with all your installation requirements.



Specifications

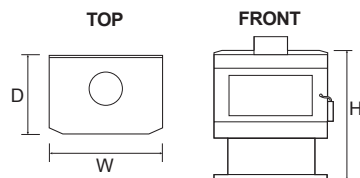
Freestanding Models - Dimensions & Clearances																			
FREESTANDING MODELS	Overall Dimensions (inclusive of top plate of woodheater) Width/Height/Depth			Back of Woodheater to Centre of Flue Freestanding Only mm	Clearance to Combustibles			Minimum Hearth Size Width/Depth/Thickness				Weight kg	Flue Size mm	Capacity M2	Emissions g/kg	Efficiency %*	KW Output Kw*	Log Length mm	
	W	H	D		Rear	Side	Corner	W	D	T	MM in front of unit								
Pilbara	580	700	480	180	150	300	100	890	995	12	400	138	150	120	2.2	66	6	310	
Kimberley	707	760	570	185	100	250	25	940	940	9	300	160	150	240	1.0	69	13	420	
Hamersley	770	787	570	200	150	325	100	1020	1190	12	500	182	150	300	2.2	64	18	420	

Insert Models - Dimensions & Clearances																					
INSERT MODELS	Overall Dimensions (including fascia and mantle of woodheater) Width/Height/Depth			Rear Casing Dimensions			Clearance to Combustibles (from base of appliance)			Masonry Installation Depth = mm in front of unit base			ZCC Install MM in front of ZCC	All fireplace Inserts must be installed in either a brick masonry chimney or Zero Clearance Cabinet (ZCC) and be fully flued							
	W	H	D	W	H	D	Side	Under Mantle	Breast Plate	W	D	T		kg	mm	M2	g/kg	%*	Kw*	Back of Fascia to Flue Centre	
Kimberley	950	740	500	605	600	440	25	1170	1080	940	550*	18	610*	144	150	220	0.3	65	12	290	
Hamersley	1010	750	535	665	630	430	150	1225	975	1000	600*	18	712*	170	150	260	1.4	60	16	257	
Federation	1028	730	535	665	630	475	150	1225	975	1000	600*	18	660*	170	150	260	1.4	60	16	300	

*Minimum hearth depth in front of unit or ZCC can be reduced by raising appliance above combustible materials (consult your dealer).

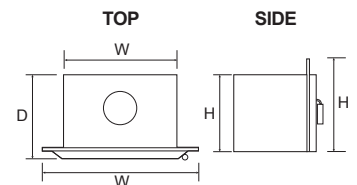
Freestanding

Physical dimensions are inclusive of top plate of woodheater



Insert

Overall and rear casing dimensions as in table above



Note: The dimensions and clearances on this page are for reference only. Refer to the Owner's Manual for operation and exact specifications prior to installation. Colours of woodheaters shown are as close as four colour process printing methods allow. Zero clearance options are available for all Insert models, consult your local dealer for further information. Installation should be carried out by a qualified installer. Flue kits to be installed strictly in accordance with AS/NZS 2918:2001.



AF Gason Pty Ltd
Phone: 03 9763 3200
Fax: 03 9763 0836
jindara@gason.com.au
www.jindara.com.au

Your local Jindara dealer

Jindara woodheaters conform to AS/NZS 2918:2001, AS/NZS 4012/4013, however Jindara accepts no liability whatsoever for interpretation. *All heating capacities quoted are based on units tested with quality hardwood. Performance reduction may result due to large glassed areas, vaulted ceilings, drafts or insufficient insulation. Jindara Woodheating reserves the right to change specifications without notice. *Kw output is peak power. *Peak efficiency % quoted.

